

**Daudzums** | **Apraksts**

1

**ALPHA3 15-60 130**



**Piezīme.** Produkta attēls var atšķirties no faktiskā produkta izskata.

Produkta Nr.: [99371950](#)

Grundfos ALPHA3 high-efficiency circulator pumps are designed for circulating liquids in heating systems. With an energy efficiency index (EEI) well below the ErP benchmark, they ensure substantial energy savings.

ALPHA3 is completely controlled with Grundfos GO Remote via Bluetooth, which gives you step-by-step assistance to pump configuration, maintenance and commissioning, including:

- Operating and control modes.  
Scheduling for when the pump should operate incl. summer mode.  
Pump venting process.  
Warning and alarm status.

The pump features radiator and underfloor-heating control modes with AUTOADAPT, which continuously adjusts the pump performance to the actual heat demand, i.e.

the size of the system and changing heat demand during the year.

The AUTOADAPT feature finds the setting that provides optimal comfort with minimal energy consumption and makes the commissioning fast, safe, and easy.

ALPHA3 also offers proportional-pressure, constant-pressure and constant-curve control modes with setpoint adjustment anywhere between the maximum and minimum curve of the chosen setting.

Furthermore, ALPHA3 can communicate directly with the Grundfos GO Balance app, enabling installers to easily perform hydronic balancing of radiator and underfloor-heating systems. ALPHA3 is furthermore compatible with ALPHA Reader and the Grundfos GO Balance app, enabling the installers to easily perform hydronic balancing of radiator and underfloor-heating systems.

With the automatic night setback function, the pump automatically changes between normal duty and night setback. The changeover depends on the flow-pipe temperature controlled by the heating appliance.

The design and the chosen materials of the pump contribute to long life.

The pump is self-venting through the system, which contributes to easy commissioning.

The compact design, featuring a pump head with an integrated control box, fits into most common installations.

Pump and motor form an integral unit without a shaft seal.

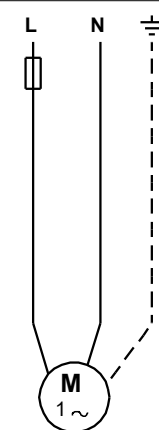
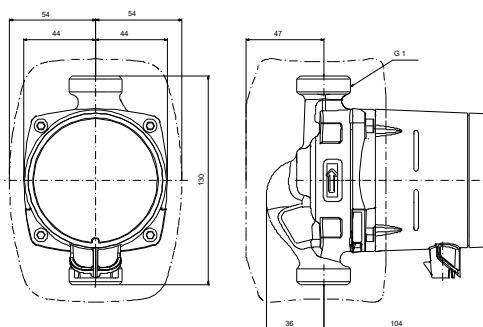
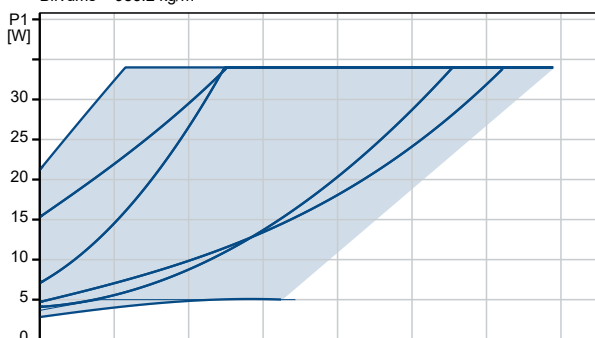
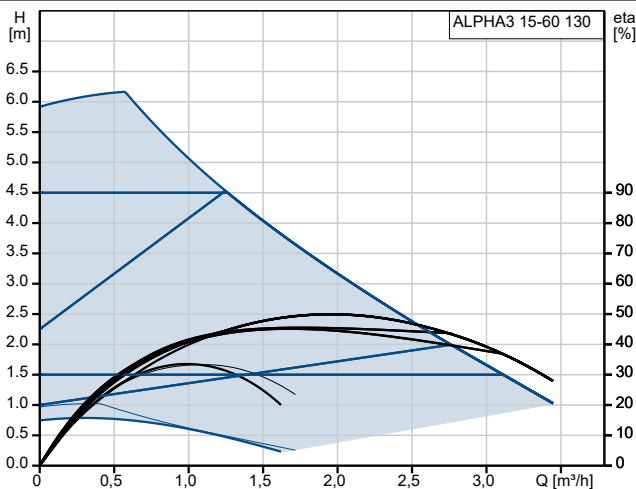
The bearings are lubricated by the pumped liquid.

These constructional features ensure maintenance-free operation.

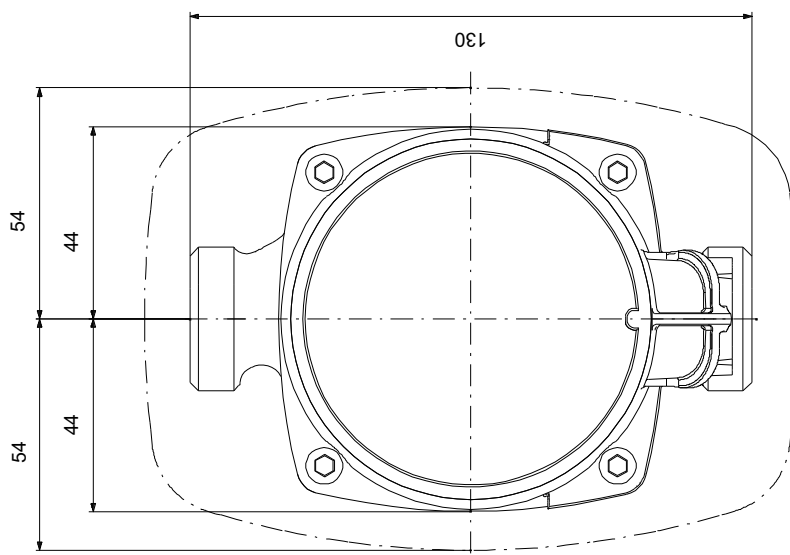
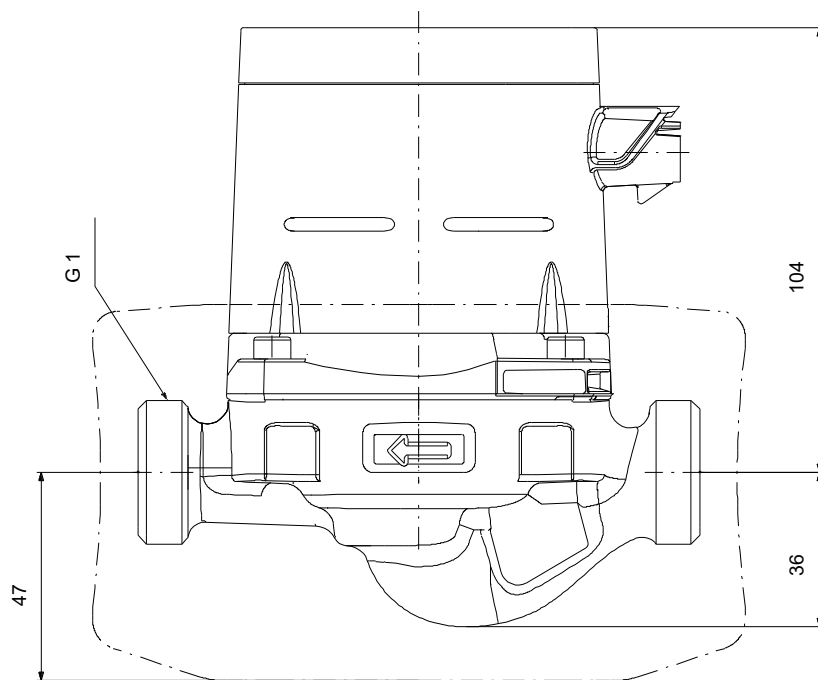
The active dry-running protection feature protects the pump against dry running during startup and normal operation. In case of a blocked rotor, the pump will continuously attempt to restart with highest possible torque.

Daudzums	Apraksts
1	<p>Pump housings made of cast iron are electrocoated to improve corrosion resistance. The motor is a synchronous permanent-magnet/compact-stator motor characterised by high efficiency. The pump speed is controlled by an integrated frequency converter incorporated in the control box.</p> <p>Insulating shells are supplied with pumps to minimise heat loss in heating systems.</p> <p>Šķidrums: Sūknējamais šķidrums: Ūdens Šķidruma temperatūras diapazons: 2 .. 110 °C izvēlētā šķidruma temperatūra: 60 °C Blīvums pie izvēlētās šķidruma temperatūras: 983.2 kg/m<sup>3</sup></p> <p>Tehn.: Nominālā plūsma: 1.94 m<sup>3</sup>/h Nominālais spiedienaugstums: 3.28 m TF klase: 110 Apstiprinājumi: VDE,CE,EAC,SEPRO</p> <p>Materiāli: Sūkņa korpusa: Čuguns EN 1561 EN-GJL-150 ASTM A48M-150B Darbrats: Composite PES 30% GF + PESU-GF20%</p> <p>Uzstādīšana: Apkārtojās vides temperatūras diapazons: 0 .. 40 °C Maksimālais darba spiediens: 10 bāri Type of connection: G Size of connection: 1 inch Pressure rating for connection: PN 10 Port-to-port length: 130 mm</p> <p>Elektriskie dati: Minimālā patērējamā jauda - P1: 3 W Power input P1: 34 W Tīkla frekvence: 50 / 60 Hz Nominālais spriegums: 1 x 230 V Maksimālais strāvas patēriņš: 0.04 .. 0.32 A Korpasa klase (IEC 34-5): X4D Insulation class (IEC 85): F Built-in motor protection: NEVIENS</p> <p>Citi: Enerģija (EEI): 0.17 Terminal box position: plkst. 6 Neto svars: 1.73 kg Bruto svars: 1.89 kg Piegādes apjoms: 0.004 m<sup>3</sup> Danish VVS No.: 380474060 Swedish RSK No.: 5758787 Norwegian NRF no.: 9043174 Izcelsmes valsts: DK Muitas tarifa Nr.: 84137030</p>

Apraksts	Vērtība
<b>Vispārējā informācija:</b>	
Produkta nosaukums:	ALPHA3 15-60 130
Produkta Nr.:	99371950
EAN numurs:	5713828026538
<b>Tehn.:</b>	
Nominālā plūsma:	1.94 m <sup>3</sup> /h
Nominālais spiedienaugstums:	3.28 m
Maks. spiedienaugstums:	60 dm
TF klase:	110
Apstiprinājumi:	VDE,CE,EAC,SEPRO
Modelis:	B
<b>Materiāli:</b>	
Sūkņa korpus:	Čuguns
Sūkņa korpus:	EN 1561 EN-GJL-150
Sūkņa korpus:	ASTM A48M-150B
Darbrats:	Composite
Darbrats:	PES 30% GF + PESU-GF20%
<b>Uzstādīšana:</b>	
Apkārējās vides temperatūras diapazons:	0 .. 40 °C
Maksimālais darba spiediens:	10 bāri
Type of connection:	G
Size of connection:	1 inch
Pressure rating for connection:	PN 10
Port-to-port length:	130 mm
<b>Šķidrums:</b>	
Sūknējamo šķidrums:	Ūdens
Šķidruma temperatūras diapazons:	2 .. 110 °C
izvēlētā šķidruma temperatūra:	60 °C
Bļivums pie izvēlētās šķidruma temperatūras:	983.2 kg/m <sup>3</sup>
<b>Elektriskie dati:</b>	
Minimālā patērējamā jauda - P1:	3 W
Power input P1:	34 W
Tīkla frekvence:	50 / 60 Hz
Nominālais spriegums:	1 x 230 V
Maksimālais strāvas patēriņš:	0.04 .. 0.32 A
Korpuse klase (IEC 34-5):	X4D
Insulation class (IEC 85):	F
Built-in motor protection:	NEVIENS
Termiskā aizsardzība:	ELEC
<b>Kontrolē:</b>	
Automātiskais nakts režīms:	integrēts automātisks nakts laika režīms
<b>Citi:</b>	
Enerģija (EEI):	0.17
Terminal box position:	plkst. 6
Neto svars:	1.73 kg
Bruto svars:	1.89 kg
Piegādes apjoms:	0.004 m <sup>3</sup>
Danish VVS No.:	380474060
Swedish RSK No.:	5758787
Norwegian NRF no.:	9043174
Izcelsmes valsts:	DK
Muitas tarifa Nr.:	84137030



## 99371950 ALPHA3 15-60 130



Piezīme! Visas mērvienības ir milimetri [mm], ja nav norādīts citādi.  
Atruna. Šajā vienkāršotajā izmēru rasējumā nav parādītas visas detaļas.

